

Schottky-Barrier Diode(SBD) Single

Device Type	Features	Page	VRRM	IF	Package
CB803-03	SCHOTTKY BARRIER DIODE (30V/2.0A)	3	30V max	2.0A	Lead-3
ERA81-004	SCHOTTKY BARRIER DIODE (40V/1A)	3	40V max	1.0A max	Lead-2
ERA82-004	SCHOTTKY BARRIER DIODE (40V/0.6A)	3	40V max	0.6A max	Lead-1
ERA83-004	SCHOTTKY BARRIER DIODE (40V/1A)	3	40V max	1.0A max	Lead-1
ERA83-006	SCHOTTKY BARRIER DIODE (60V/1A)	3	60V max	1.0A max	Lead-1
ERA84-009	SCHOTTKY BARRIER DIODE (90V/1A)	3	90V max	1.0A max	Lead-2
ERA85-009	SCHOTTKY BARRIER DIODE (90V/1A)	3	90V max	1.0A max	Lead-1
ERB81-004	SCHOTTKY BARRIER DIODE (40V/2.0A)	3	40V max	2.0A max	Lead-4
ERB83-004	SCHOTTKY BARRIER DIODE (40V/2.0A)	3	40V max	2.0A max	Lead-3
ERB83-006	SCHOTTKY BARRIER DIODE (60V/2A)	3	60V max	2.0A max	Lead-3
ERB84-009	SCHOTTKY BARRIER DIODE (90V/2A)	3	90V max	2.0A max	Lead-4
ERC62-004	SCHOTTKY BARRIER DIODE (45V/10A)	3	45V max	10A max	TO-220AB(FE,JEDEC)/ SC-46(EIAJ)
ERC80-004	SCHOTTKY BARRIER DIODE (40V/5A)	3	40V max	5.0A max	TO-220AB(FE,JEDEC)/ SC-46(EIAJ)
ERC81-004	SCHOTTKY BARRIER DIODE (40V/3.0A)	3	40V max	3.0A max	Lead-7
ERC81-006	SCHOTTKY BARRIER DIODE (60V/3A)	3	60V max	3.0A max	Lead-7
ERC81S-004	SCHOTTKY BARRIER DIODE	3	40V max	5.0A max	Lead-7
ERC84-009	SCHOTTKY BARRIER DIODE (90V/3A)	3	90V max	3.0A max	Lead-7

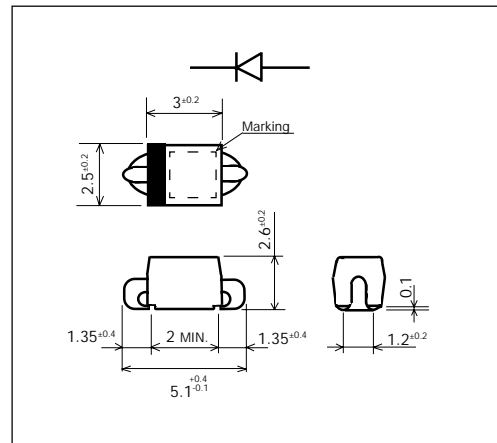
ERD80-004	SCHOTTKY BARRIER DIODE (40V/15A)	3	40V max	15A max	TO-3P(FE)/SC-65(EIAJ)
ERD81-004	SCHOTTKY BARRIER DIODE (40V/15A)	2	40V max	15A max	Power M5R
ERE81-004	SCHOTTKY BARRIER DIODE (40V/30A)	2	40V max	30A max	Power M6R
ERG81-004	SCHOTTKY BARRIER DIODE (40V/60A)	2	40V max	60A max	Power M8R
ERG81A-004	SCHOTTKY BARRIER DIODE (40V/60A)	2	40V max	60A max	Power M8R
FD807-03	SCHOTTKY BARRIER DIODE	3	30V max	3.0A max	Lead-7
KS826S04	SCHOTTKY BARRIER DIODE (40V/5A)	3	40V max	5.0A max	K-pack(S)
SC802-04	SCHOTTKY BARRIER DIODE (40V/1A)	3	40V max	1.0A max	SC
SC802-06	SCHOTTKY BARRIER DIODE	3	60V max	1A max	SC
SC802-09	SCHOTTKY BARRIER DIODE	3	90V max	1A max	SC
SD833-03	SCHOTTKY BARRIER DIODE (30V/3.0A)	3	30V max	3.0A max	SD
SD833-04	SCHOTTKY BARRIER DIODE (40V/3.0A)	3	40V max	3.0A max	SD
SD833-06	Schottky barrier diode(60V/3A)	3	60V max	3A max	
SD833-09	Schottky barrier diode(90V/3A)	3	90V max	3A max	
SD883-02	SCHOTTKY BARRIER DIODE (20V/3.0A)	3	20V max	3.0A max	SD
SD883-04	SCHOTTKY BARRIER DIODE (40V/3.0A)	3	40V max	3.0A max	SD
YG811S04R	SCHOTTKY BARRIER DIODE	3	40V max	5A max	TO-220F15(FE)/SC-67 (EIAJ)
YG811S06R	SCHOTTKY BARRIER DIODE	3	60V max	5A max	TO-220F15(FE)/SC-67 (EIAJ)
YG811S09R	SCHOTTKY BARRIER DIODE	3	90V max	5A max	TO-220F15(FE)/SC-67 (EIAJ)
YG812S04R	SCHOTTKY BARRIER DIODE	3	45V max	10A max	TO-220F15(FEJ)/SC-67 (EIAJ)

SC802-06 (1A)

(60V / 1A)

SCHOTTKY BARRIER DIODE

Outline drawings, mm



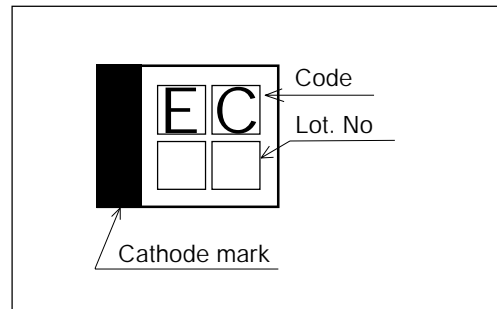
Features

- Surface-mount device
- Low V_F
- Super high speed switching
- High reliability by planer design

Applications

- High speed switching

Marking



Maximum ratings and characteristics

- Absolute maximum ratings

Item	Symbol	Conditions	Rating	Unit
Repetitive peak reverse voltage	V_{RRM}		60	V
Non-repetitive peak reverse voltage	V_{RSM}	$t_w=500\text{ns}$, $\text{duty}=1/40$	60	V
Average output current	I_o	Resistive load $T_I=111^\circ\text{C}$	1.0*	A
Surge current	I_{FSM}	Sine wave 10ms	30	A
Operating junction temperature	T_j		-40 to +150	$^\circ\text{C}$
Storage temperature	T_{stg}		-40 to +150	$^\circ\text{C}$

* Mounted on printed circuit board (15 x 15mm)

- Electrical characteristics ($T_a=25^\circ\text{C}$ Unless otherwise specified)

Item	Symbol	Conditions	Max.	Unit
Forward voltage drop	V_{FM}	$I_{FM}=1\text{A}$	0.58	V
Reverse current	I_{RRM}	$V_R=V_{RRM}$	2.0	mA
Thermal resistance	$R_{th(j-l)}$	Junction to lead	15*	$^\circ\text{C}/\text{W}$